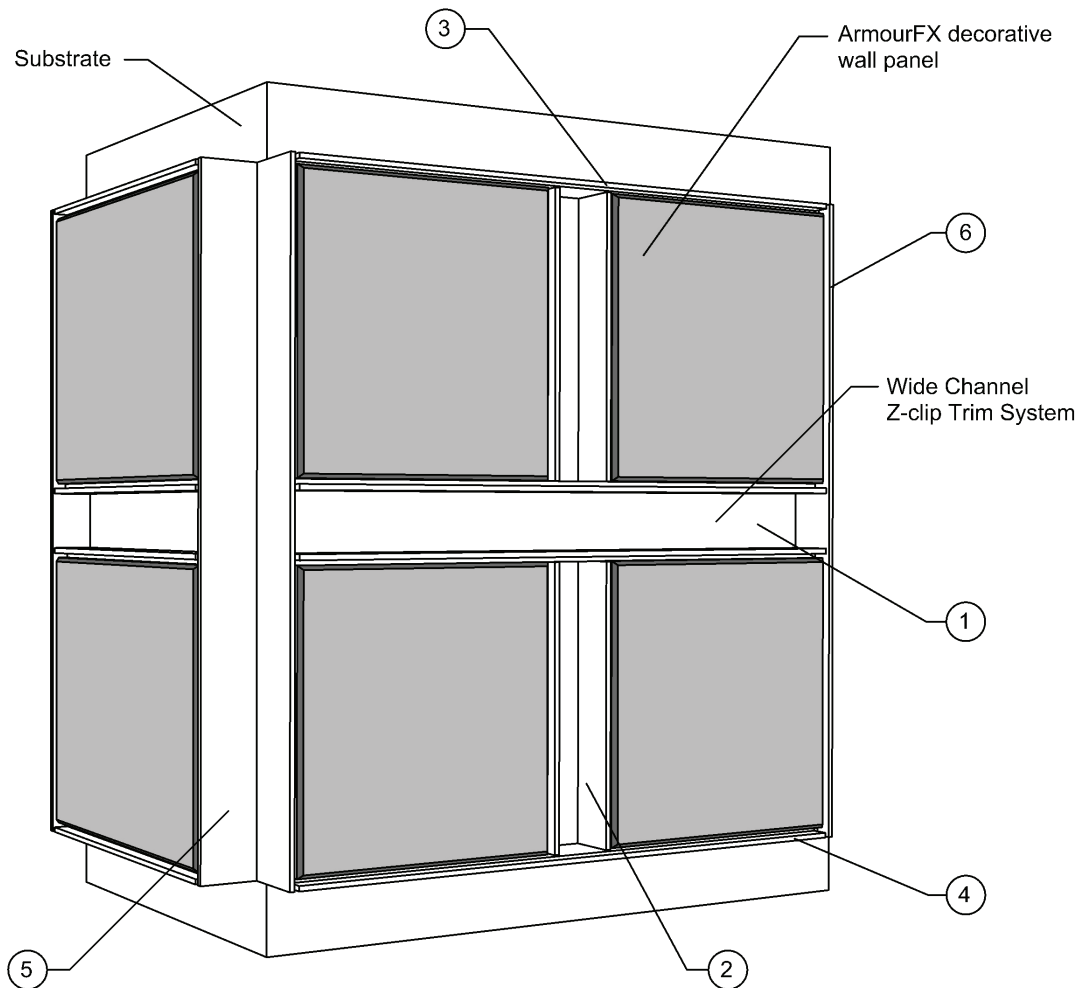


## Drawing Detail Sheet – AI-44-012ST14.01.02 ArmourFX Z-Trim System - Wide Channel

This specification is for guidance only. It describes good working practise. It does not claim to be the correct and only method and is made without responsibility for the execution of the work. Build quality is the responsibility of the installer/builder.



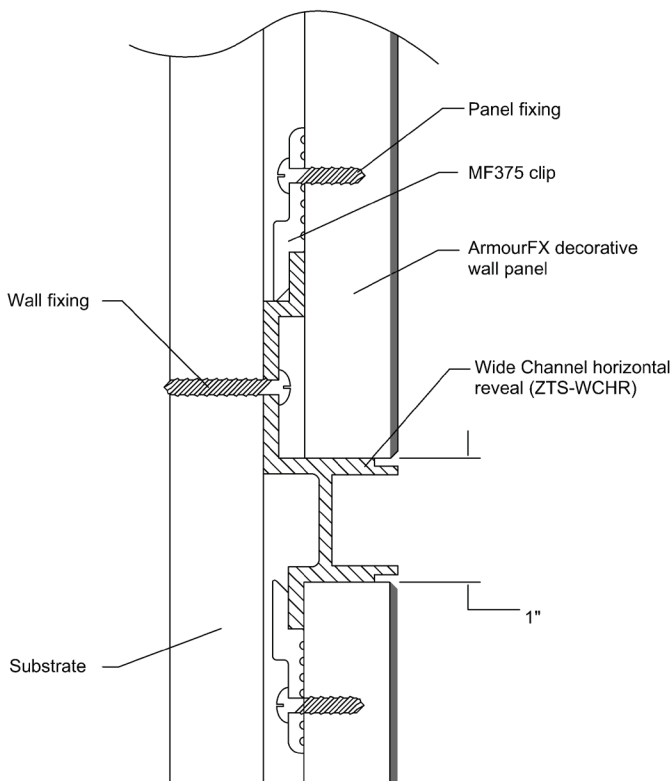
Close-up drawings of trim details 1-6 on following pages

*Whilst every attempt has been made to ensure the accuracy and reliability of the information contained in this document, the information should not be relied upon as a substitute for formal advice. Armourcoat Surface Finishes Inc., its employees and agents will not be liable for any loss or damage, of any kind, arising out of or in connection with the use of this document. Please refer to the company disclaimer for further details.*

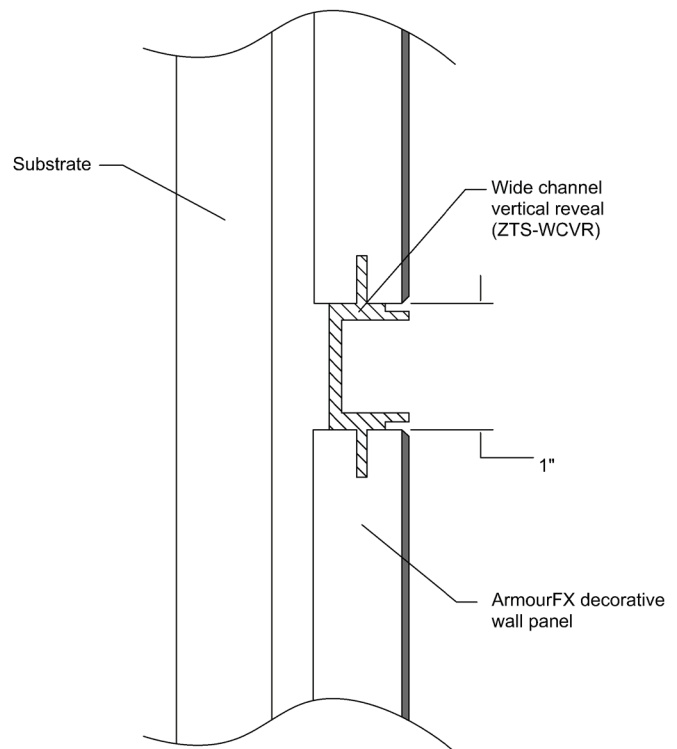
## Drawing Detail Sheet – AI-44-012ST14.01.02 ArmourFX Z-Trim System - Wide Channel

This specification is for guidance only. It describes good working practise. It does not claim to be the correct and only method and is made without responsibility for the execution of the work. Build quality is the responsibility of the installer/builder.

### ① Horizontal Reveal (ZTS-WCHR)



### ② Vertical Reveal (ZTS-WCVR)

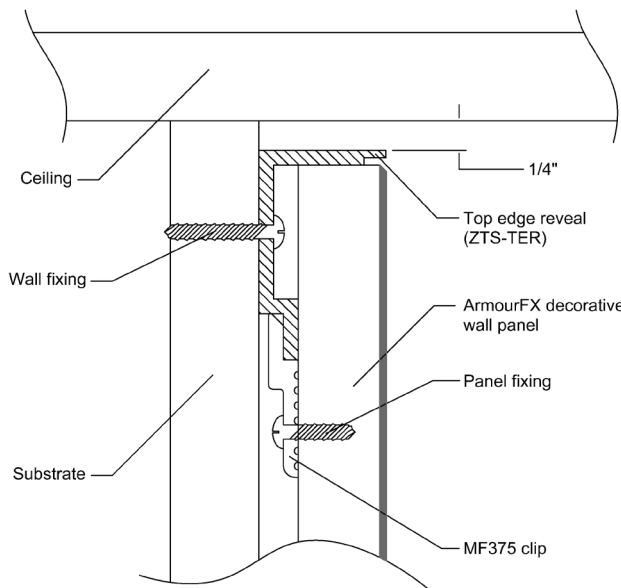


*Whilst every attempt has been made to ensure the accuracy and reliability of the information contained in this document, the information should not be relied upon as a substitute for formal advice. Armourcoat Surface Finishes Inc., its employees and agents will not be liable for any loss or damage, of any kind, arising out of or in connection with the use of this document. Please refer to the company disclaimer for further details.*

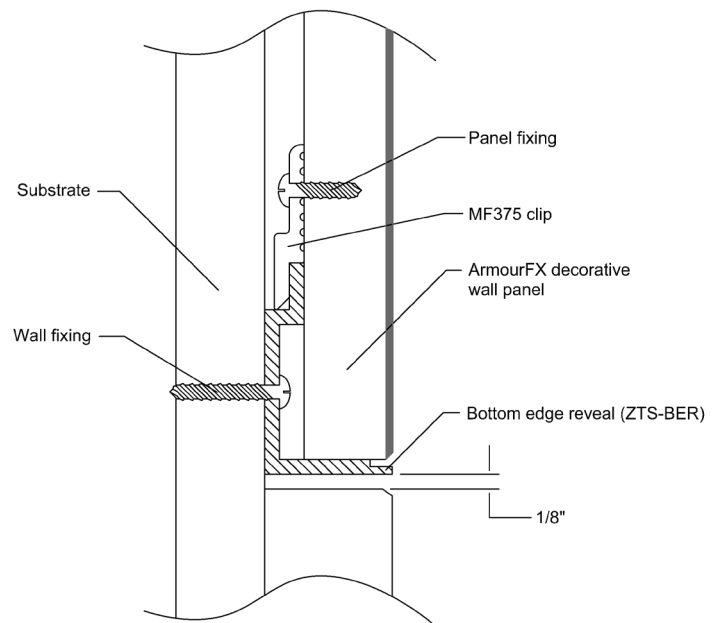
## Drawing Detail Sheet – AI-44-012ST14.01.02 ArmourFX Z-Trim System - Wide Channel

This specification is for guidance only. It describes good working practise. It does not claim to be the correct and only method and is made without responsibility for the execution of the work. Build quality is the responsibility of the installer/builder.

### 3 Top Edge Reveal (ZTS-TER)



### 4 Bottom Edge Reveal (ZTS-BER)

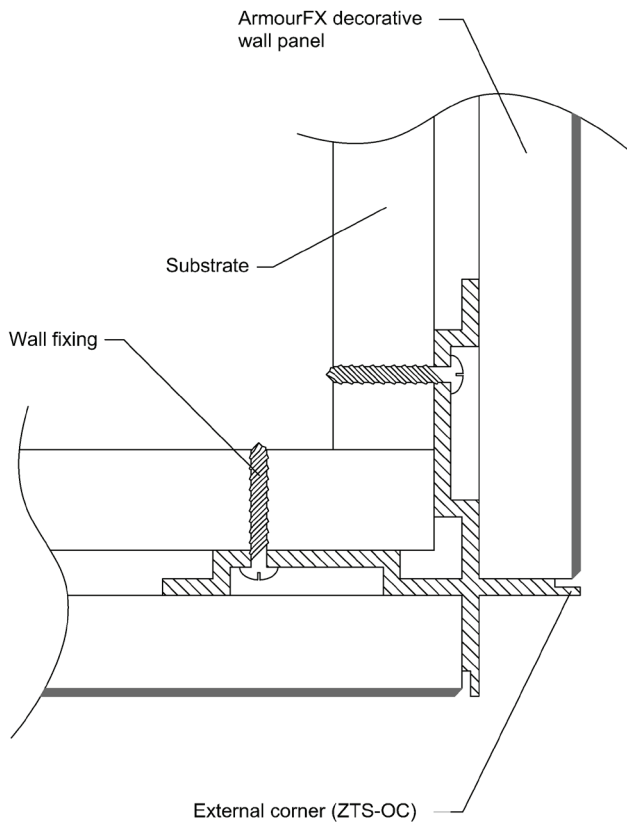


*Whilst every attempt has been made to ensure the accuracy and reliability of the information contained in this document, the information should not be relied upon as a substitute for formal advice. Armourcoat Surface Finishes Inc., its employees and agents will not be liable for any loss or damage, of any kind, arising out of or in connection with the use of this document. Please refer to the company disclaimer for further details.*

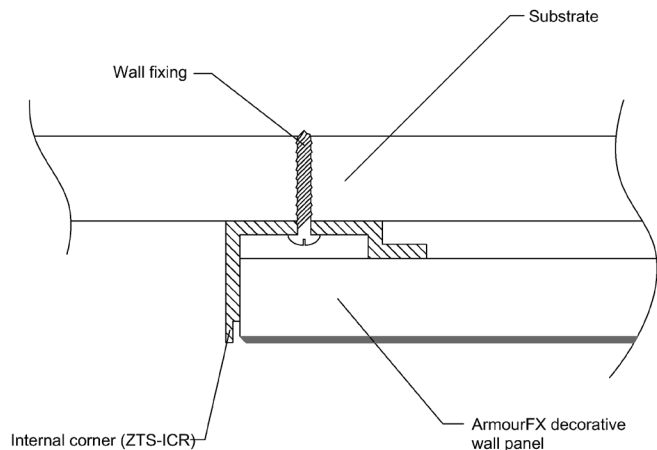
## Drawing Detail Sheet – AI-44-012ST14.01.02 ArmourFX Z-Trim System - Wide Channel

This specification is for guidance only. It describes good working practise. It does not claim to be the correct and only method and is made without responsibility for the execution of the work. Build quality is the responsibility of the installer/builder.

### 5 Outside Corner (ZTS-OC)



### 6 Inside Corner (ZTS-IC)



*Whilst every attempt has been made to ensure the accuracy and reliability of the information contained in this document, the information should not be relied upon as a substitute for formal advice. Armourcoat Surface Finishes Inc., its employees and agents will not be liable for any loss or damage, of any kind, arising out of or in connection with the use of this document. Please refer to the company disclaimer for further details.*